

WORKSTEAD

INSTALLATION INSTRUCTIONS | TRELIS SCONCE



WORKSTEAD

INSTALLATION INSTRUCTIONS | TRELLIS SCONCE



GENERAL NOTES

This luminaire is UL, cUL, and CE listed for installation in dry or damp locations.

When installing luminaire, conform to all applicable local electrical codes, ordinances, and the National Electrical Code (NEC).

For your safety and proper operation of luminaire, read and understand all instructions completely before commencing installation of this luminaire.

Carefully unpack the luminaire and inspect for damage.

Use the enclosed gloves when handling the luminaire.

This product is rated for one (1) 40W max E12 G16 bulb (or E14 G50 bulb, depending on your location).

Save these instructions for future reference.

CAUTION

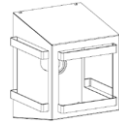
This product should be installed only by a licensed electrician.

WARNING

The electricity must be turned off at the main fuse box before installing this luminaire. Turning power off using the light switch may not be sufficient to prevent electrical shock.

Use UL listed wire nuts for all wiring connections in this luminaire. Wrap wire nut connections with UL listed electrical tape.

INCLUDED COMPONENTS FOR INSTALLATION



(1) luminaire body with backplate & mounting plate



(3) glass lens panels



(1) E12/E14 bulb



(2) 1-1/2" #8 x 32 machine screws



(3) wire nuts

ASSEMBLY AND MOUNTING INSTRUCTIONS

STEP 1 | CUT POWER

Shut off the main electrical supply to the junction box from the fuse box/circuit breaker. Turning power off at the switch is not sufficient.

STEP 2 | REMOVE BODY

Remove the luminaire body from the mounting plate by removing the (2) screws on the top and the (2) screws on the bottom of the body. Set aside the (4) screws and the body for reinstallation in a later step. (Fig. 1)

STEP 3 | REMOVE BACKPLATE

Remove the backplate from the mounting plate by removing the (4) screws on the face of the backplate. Set aside the (4) screws and the backplate for reinstallation in a later step. (Fig. 1)

STEP 4 | CONNECT WIRES

Locate the junction box in the wall. Using the wire nuts provided, make electrical connections by following the electrical configuration table. (Fig. 2) Ensure that all electrical connections are wrapped with UL listed electrical tape. Carefully tuck the wiring into the junction box.

STEP 5 | ATTACH MOUNTING PLATE

Attach the mounting plate to the junction box using the (2) 1-1/2" #8 machine screws provided. (Fig. 3)

STEP 6 | INSTALL BULB

Install the bulb provided. Return power to the luminaire to confirm proper function. If further work is needed, be sure to turn off power to luminaire before proceeding.

STEP 7 | ATTACH BACKPLATE

Remove the bulb. Using the (4) screws removed in Step 3, reinstall the backplate to the mounting plate. (See Fig. 4 on page 4) Reinstall bulb.

Fig. 1

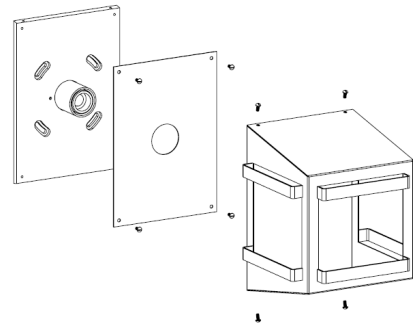
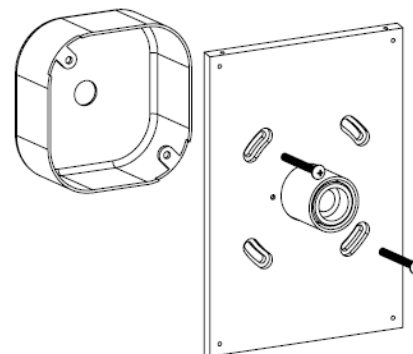


Fig. 2

FROM SUPPLY	TO LUMINAIRE
Connect black or red (hot) house supply circuit wire to:	Luminaire black wire (hot)
Connect white (neutral) house supply circuit wire to:	Luminaire white wire (neutral)
Connect green insulated or bare copper (ground) house supply circuit wire to:	Luminaire bare copper wire (ground)

Fig. 3



ASSEMBLY AND MOUNTING INSTRUCTIONS

STEP 8 | INSTALL GLASS

Insert each glass lens panel through the open back of the luminaire body. Align the lens panels within each body frame and secure by gently bending the retention tabs over the edges of the lens panel. (Fig. 5)

STEP 9 | INSTALL LUMINAIRE BODY

Align the holes on the top and bottom of the luminaire body with the holes on the top and bottom of the mounting plate. Using the (4) screws removed in Step 3, reinstall the body to the mounting plate. (Fig. 6)

Fig. 4

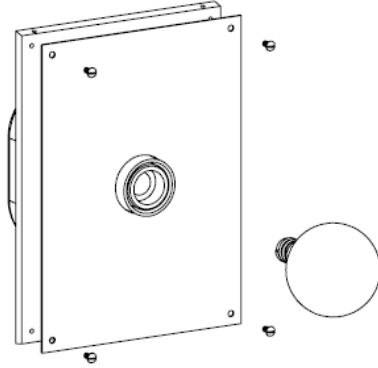


Fig. 5

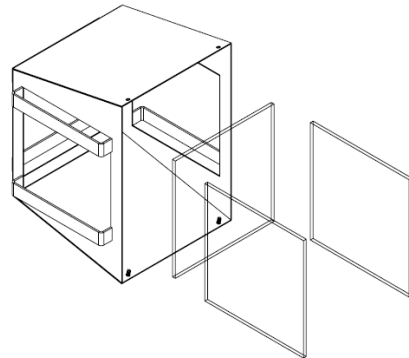


Fig. 6

